

EMILY'S GARDEN™

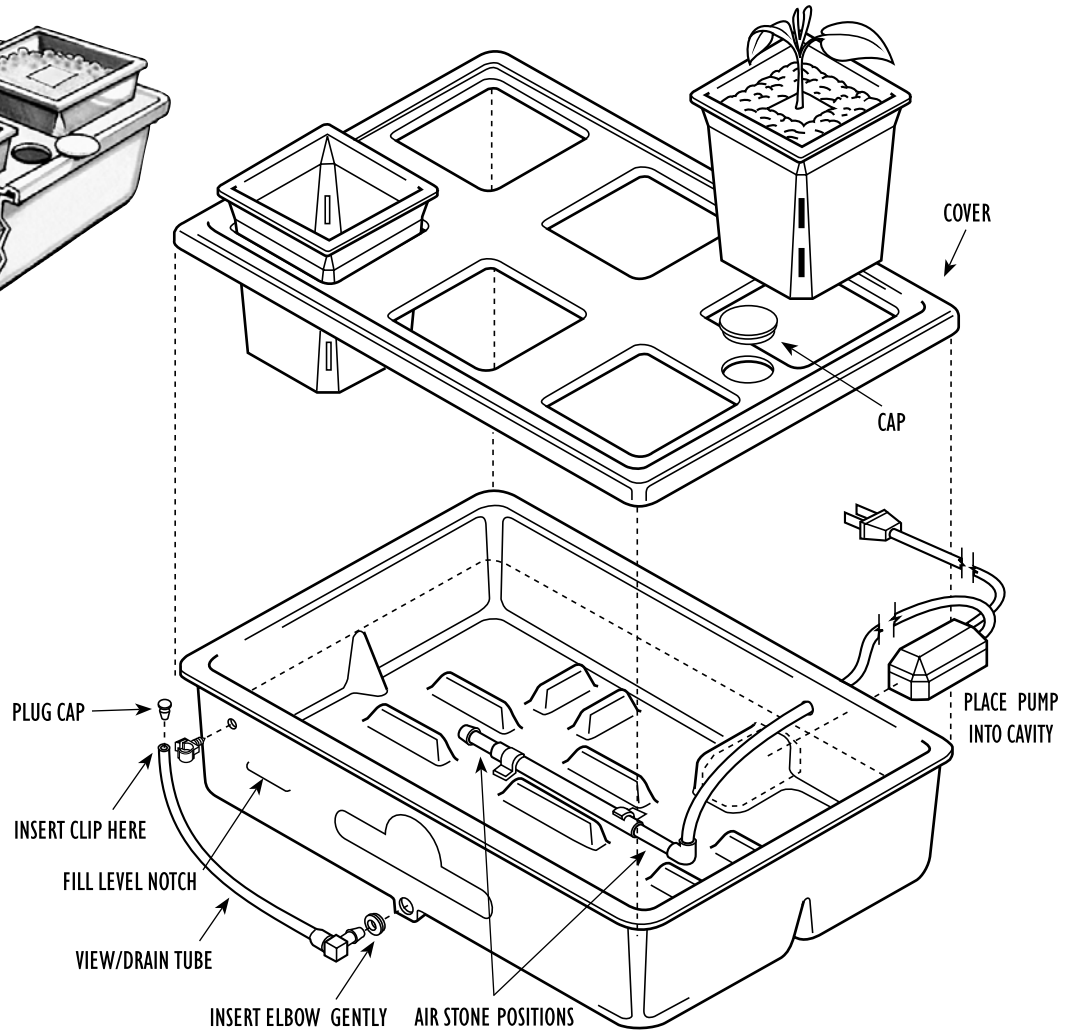


parts list

- Garden Tray
- Cover
- Growing Medium
- Six Planters

component bag

- Dual Air Stone Assembly
- Air Pump
- Nutrient
- Starter Cubes
- Six Moisture Mats
- Cover Cap
- View / Drain Tube Assembly
- 2 Replacement Air Stones
- pH Test Kit



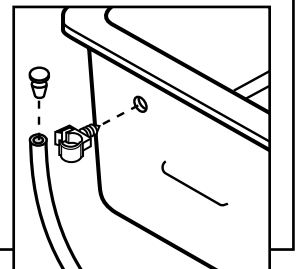
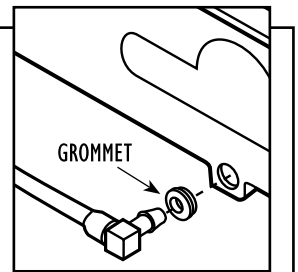
Emily's assembly

INSTALLING YOUR AIR PUMP AND AIR STONES

- 1) Feed the black air pump tubing into the hole from inside the tray.
- 2) Connect the air tube to the pump.
- 3) Carefully install the air pump by inserting the pump into the cavity as shown. Center the pump in the cavity, making sure that the air tube stays connected to the pump.
- 4) Lay the air stone assembly into the tray as shown, sliding the tubing (not the air stones) under the hold down clips. The air stones should be positioned at the points shown in the illustration.

INSTALLING THE VIEW/DRAIN TUBE (if not already installed)

- 1) Work the rubber grommet for the elbow into the hole gently, making sure that it is evenly seated on both sides.
- 2) Gently rotate the elbow in through the grommet. Double check to make sure the grommet remains evenly seated on both sides to avoid leaking.
- 3) Insert clip into upper reservoir hole and clip the view/drain tube into it. Put the plug into tube after filling the reservoir.
- 4) Place the cover on the garden tray with the cover cap as shown.



RINSING THE HYDROTON IN THE PLANTERS

- 1) Pour the hydroton into the planters, filling them **half way**.
- 2) Run water through the rock and away from household plumbing to rinse out any sediment.
- 3) Insert the moisture mat strips down into the rock to the base of the planters.
- 4) Holding the moisture mat up in the middle, fill the rest of the planters with the remaining rock.
- 5) Rinse the rock in the planters again to thoroughly flush sediment.
- 6) Set the planters into the Emily's Garden.

SPROUTING SEEDS & PLANTING SEEDLINGS

Prior to planting your seeds, soak the starter cubes in pH balanced water of 5.5 to 6.5 and completely saturate them for approximately 12 to 24 hours. This will reduce alkalinity and promote a hospitable environment for germination. Drain off the excess water and place one or two seeds directly into each starter cube.

Keep the starter cubes lightly moistened, but not over saturated in a propagation tray with a humidity dome (ensure that the cubes are never sitting directly in stagnant water as this could hinder the germination process). When roots begin to show, you may now plant your starter cubes. The base of the cubes should be in contact with the moisture mat. Place aggregate around and on top of the starter cube (Cubes should only be covered with one layer of rock).

To plant a store bought seedling or cutting, place the plantlet (with roots intact), into the aggregate so that it is touching the moisture mat. Gently pour aggregate around the seedling to fill in the remaining space. Remove any loose soil or non-hydroponic medium from the root zone, while taking care not to damage the root mass as this could induce shock.

NUTRIENT SOLUTION SCHEDULE

To initially fill your reservoir, premix about 2 gallons of nutrient solution at ½ to 1 teaspoon per gallon of water. Test pH value and adjust accordingly to measure between 5.5 and 6.5. Pour it down through the planters, filling the reservoir to the fill level notch. Place the cap in the view/drain tube.

Plug in your pump, and let it run 24 hours per day (switching the pump off could promote negative bacterial issues).

The nutrient solution should be checked every other day or so and maintained at about 2" to 2-1/2" deep in the tray — **NO DEEPER!**

To check the solution level, look at the curved view/drain tube. When adding nutrient solutions is necessary, premix at a 1/2 teaspoon per gallon, and adjust pH value of the reservoir accordingly after replenishment.

After one to two weeks, the reservoir should be drained and refilled with fresh nutrient solution (1 teaspoon per gallon). To drain the old solution pull down the view/drain tube from its clip and remove the plug. Before refilling reservoir, flush clean water through the planters/system, and allow it to drain out. Replug the tube, and pour fresh mixed nutrient solution down through the planters. Replace the view/drain tube after refill is complete.

Over time, your airstones may not bubble as vigorously due to sediment or film clogging the pores. To clean, remove the entire airstone assembly, disassemble and soak airstones (blue pieces only) in a 10% chlorine bleach solution (10% bleach, 90% water). Use a soft brush (such as a toothbrush) to gently scrub the airstones. After cleaning, rinse the airstones and ensure the bleach solution is fully rinsed clean from the stones.

If your plants are not looking well, you may need to check your pH (pH is the measure of how alkaline or acidic your solution is). Plants do best in this system when the pH is between 5.5 to 6.5. You can check your pH with a pH test kit or a pH pen. For these items plus adjusters, see your nearest Hydrofarm retailer.

TEMPERATURE AND AIR CIRCULATION

Most plants prefer temperatures, between 60 and 90 degrees, with 75-80 degrees being closer to optimum. Using a fan will keep temperatures down when it's too hot, strengthen the plants, and supplement fresh air if you're growing in an enclosed area. Don't blow them over, but give them a gentle breeze to rejuvenate fresh air and promote circulation.

LIGHTING

If your growing season is short with cold temperatures, it's best to give your plants an early start indoors under our full spectrum grow lights. Contact your local Hydrofarm retailer for additional guidelines for lighting larger areas. Make sure the walls of the growing area are white or are lined with a highly reflective material such as Mylar; this will help to distribute the light produced to more areas of the plants, increasing their productivity.



G U A R A N T E E

Your Emily's Garden components are guaranteed to work for the original owner for one year. This includes the pump, reservoir, planters and irrigation parts. Nutrient, starter cubes, aggregate and moisture mats are not covered. Save your receipt — a copy is required for all warranty work. If you have a problem, please contact the place of purchase for return authorization and replacement.